

The Accell UltraCat™ HDMI over Cat5e High Speed Extenders enables an HDMI audio and video signal to travel across UTP (Cat-5e or Cat-6) LAN cables. The UltraCat extenders support HD resolution transfer over long cable runs in lengths of up to 328 feet (100m) for 1080p video. For longer runs the UltraCat High Speed Extenders can be cascaded.

*All cable lengths are approximate depending on cable quality and environmental RF and EMI. Not all Cat-5e and Cat-6 cables are of the same quality. The above supported lengths are achievable using good quality, Unshielded Twisted Pair (UTP) Cat-5e/Cat-6 cables that are certified and rated at 350MHz or greater and operating in normal conditions. The Cat-5e/6 cable RJ-45 connectors must be terminated to the **TIA/EIA-568B** standard.

Caution: Ensure the unit has sufficient ventilation. Do not cover ventilation openings. Do not operate at temperatures exceeding 35°C/95°F. Unplug power adapters if not use for an extended period of time. Do not use near liquid.

■ Specifications

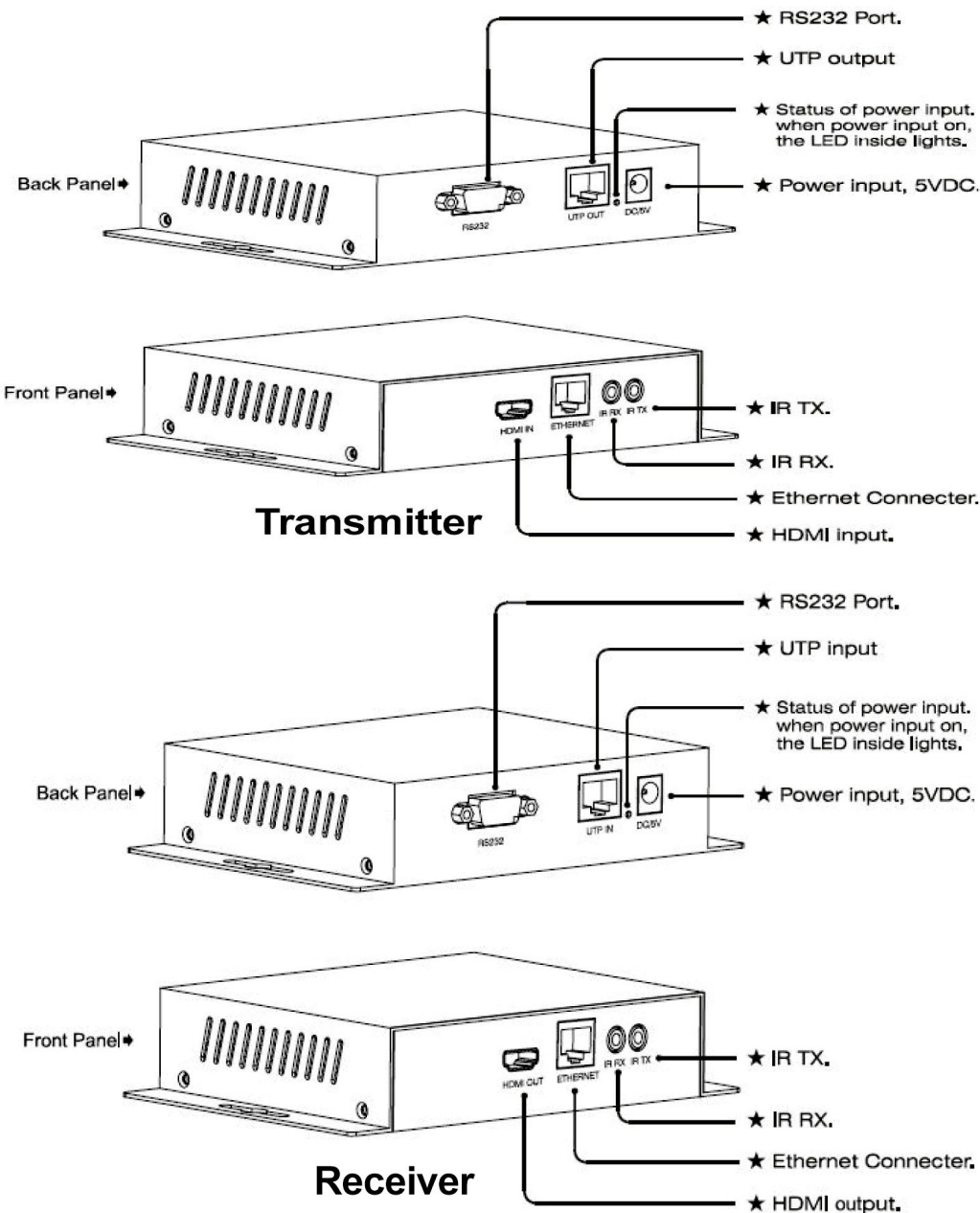
- Operating Temperature Range -5 to +35°C (-41 to +95 °F)
- Operating Humidity Range 5 to 90 % RH (no condensation)
- Input Video Signal 0.5-1.0 volts p-p
- Input DDC Signal 5 volts p-p (TTL)
- Video Format Supported; 1080P/1080i/720P/576P/480P/576i/480i
- Output Video: HDMI 1.4 + HDCP
- Output Audio: Supports DTS-HD, Dolby-HD
- Maximum Transmission Distance over Cat5e: 328 feet (100 meters)
- Maximum HDMI single cable length: 16 feet/5 meters (non-amplified cable)
- Power Supply: 5VDC
- Power Consumption: 2.5Watts (transmitter) 5Watts (receiver)
- Dimensions: 152mmH×105mmW×31mmD /5.98”W×4.13”H×1.22”D
- Weight (Main unit) 0.9Kg / 1.98lb (Pairs)

■ Package Contents

- Receiver
- Transmitter
- Operating instructions.
- 2x 5VDC power supply
- 2x IR TX emitter cables (with 2-way adhesive)
- 2x IR RX receiver cables



■**Note:** Specifications are subject to change without notice. Weight and dimensions are approximate.



■ Setup

Connecting the UTP cable

- 1) Connect the HDMI output of the video source (such as DVD, PS3, STB etc.) to the **HDMI In** port on the **Transmitter**.
- 2) Connect a CAT-5e/6 cable from **UTP Out** port on the **Transmitter** to **UTP Input** port located on the **Receiver**.
- 3) Connect the HDMI Display (such as an HD-TV) to the **HDMI Out** on the **Receiver**.

For IR control transmission over the UTP cable

- 1) Connect the IR TX emitter cable into the **IR TX** port on the **Transmitter**; Connect the IR RX receiver cable into the **IR RX** port on the **Receiver**.
- 2) Connect the IR RX receiver cable into the **IR RX** port on the **Transmitter**. Connect the IR TX emitter cable into the **IR TX** port located on the **Receiver**.

Note: A small adhesive tab is included in each bag of emitter cables. Peel away the clear adhesive and apply over the IR receiver location on video source or TV. Press the emitter head onto the adhesive.

For Ethernet transmission over the UTP cable

- 1) Connect a CAT-5e/6 cable from your router or other Ethernet source to the **Ethernet** port located on the **Transmitter**.
- 2) Connect a CAT-5e/6 cable from the **Ethernet** port located on the **Receiver** to the device intended to receive the Ethernet signal.

Using RS-232

The RS232 Port can be set via jumpers to update the firmware within the Transmitter and Receiver or for use for RS232 control signal transmission over UTP. By default the extenders are configured for RS-232 control signal transmission.

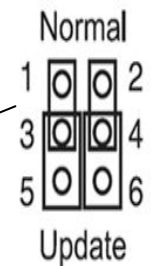
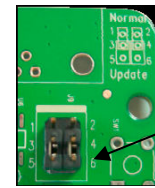
RS-232 Signal Transmission

- 1) Connect your RS232 source cable to the **RS-232** port on the **Transmitter**.
- 2) Connect the RS-232 cable from the **RS-232** Port on the **Receiver** to the device receiving the RS-232 signal.

■ Firmware Update via RS-232

Use this feature if Accell has a firmware update available and recommends the update for your use.

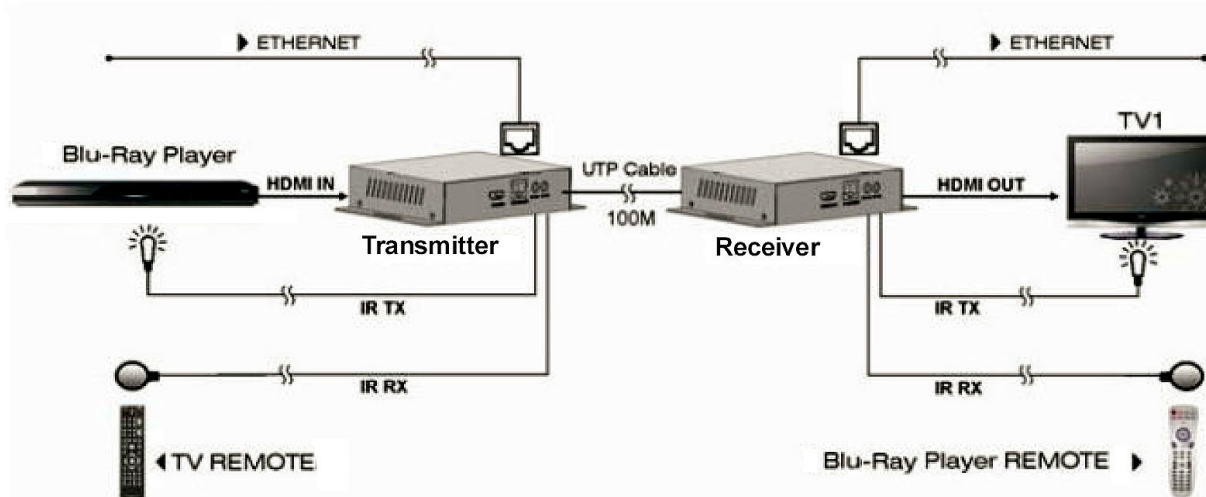
1. **Unplug** the power adapters from both Extenders.
2. Open the case of both the Transmitter and Receiver to gain access to the jumpers.
3. According to the printing ("Update" for firmware update, "Normal" for RS232 transmission) on the circuit board, relocate the jumper cap in both of the extenders to the **Update** position.
4. Plug in the power adapters and follow the update instructions provided with the firmware.
5. Upon completion of firmware update, **unplug** the power adapters from both of the extenders.
6. Return jumpers to Normal position and close the cases. Plug in the power adapters.



Jumper location

Update

Typical Application



■ Maintenance

Clean this unit with a soft, dry cloth. Never use alcohol, paint thinner or other chemicals to clean this unit.

■ Product Service

The product is not user serviceable. The extenders should not be used and Accell customer service contacted when,

- The DC power adaptor has been damaged.
- Objects or liquids have entered the unit.
- The unit has been exposed to rain, water or moisture.
- The unit does not operate normally or exhibits a marked change in performance.

■ Warranty and Returns - 1-YEAR MANUFACTURERS WARRANTY

Accell UltraCat HDMI Extenders, which are purchased in the U.S.A and Canada, is warranted for one year from date of purchase to be free of defects in material and workmanship. In the event of such defects, the Accell product will be repaired without charge or replaced with a new one at our option, if delivered to Accell Corporation prepaid, together with a copy of the sales receipt indicating the proof of purchase date and place of purchase. This warranty excludes defects due to normal wear, abuse, shipping damage, or failure to use the product in accordance with the instructions. ACCELL CORPORATION SHALL NOT BE LIABLE FOR DAMAGES BASED UPON INCONVENIENCE, LOSS OF USE OF THE PRODUCT, LOSS OF TIME, INTERRUPTED OPERATION OR COMMERCIAL LOSS, OR ANY OTHER DAMAGES, WHETHER INCIDENTAL, CONSEQUENTIAL OR OTHERWISE. YOU AGREE THAT ACCELL'S MAXIMUM LIABILITY ARISING FROM ANY PRODUCT SOLD BY ACCELL SHALL NOT EXCEED THE PRICE OF SUCH PRODUCT. SOME JURISDICTIONS DO NOT ALLOW THE LIMITATION OF EXCLUSION OF LIABILITY FOR CERTAIN DAMAGES, SO THE ABOVE MAY NOT APPLY TO YOU TO THE EXTENT SUCH JURISDICTION'S LAW IS APPLICABLE TO THIS AGREEMENT. This warranty gives you specific legal rights, and you may have other rights that vary from state to state.

Limitation of Liability

IN NO EVENT SHALL ACCELL CORPORATION, ITS SUBSIDIARIES OR AFFILIATES, OR THEIR RESPECTIVE PARTNERS, OFFICERS, DIRECTORS, EMPLOYEES, SHAREHOLDERS, REPRESENTATIVES OR AGENTS (COLLECTIVELY, "ACCELL") BE LIABLE FOR DIRECT, SPECIAL, INCIDENTAL, CONSEQUENTIAL, PUNITIVE, OR INDIRECT DAMAGES (INCLUDING BUT NOT LIMITED TO, LOSS OF DATA, USE OR PROFITS), HOWEVER CAUSED, WHETHER FOR BREACH OF CONTRACT, NEGLIGENCE, OR OTHERWISE, AND WHETHER OR NOT ACCELL HAS BEEN ADVISED OF THE POSSIBILITY OF ANY SUCH DAMAGES. YOU AGREE THAT ACCELL'S MAXIMUM LIABILITY ARISING FROM ANY PRODUCT SOLD BY ACCELL SHALL NOT EXCEED THE PRICE OF SUCH PRODUCT. SOME JURISDICTIONS DO NOT ALLOW THE LIMITATION OF EXCLUSION OF LIABILITY FOR CERTAIN DAMAGES, SO THE ABOVE MAY NOT APPLY TO YOU TO THE EXTENT SUCH JURISDICTION'S LAW IS APPLICABLE TO THIS AGREEMENT.

WARRANTY RETURNS PROCEDURE

To return an item under warranty, contact Customer Support by E-mail at support@accellcables.com or call 510-438-9288 to obtain a Return Authorization (RMA) number. RMA numbers are valid for 30 days from the date of issuance. We are unable to accept returns without an RMA number. Returns without an RMA number clearly printed on the outside of the package will be refused and returned unopened. All returns must be shipped prepaid at the expense of the shipper.

Accell assumes no responsibility for any inaccuracies and liability for direct, indirect, special, incidental, or consequential damages as a result. Due to ongoing improvements, Accell reserves the right to make changes to hardware, packaging and any accompanying documentation without prior written notice.